



## The Kohler® Advantage

- Best-in-Class Power Quality**  
 Kohler home generators provide industry-leading voltage and frequency regulation along with ultra-low levels of harmonic distortion for the best generator power quality you can get to protect your prized electronics.
- Extraordinary Reliability**  
 Kohler is known for extraordinary reliability and performance and backs that up with an industry-leading 5-year or 2000 hour warranty.
- Powerful Performance**  
 Exclusive Powerboost™ technology provides greater starting power. The Kohler 14 kW generator can easily start and run a 5 ton air conditioner without dropping power to other appliances — an unheard-of feat in other generators of this size.\*
- Exclusive 100% Corrosion-Proof Enclosure**  
 Unlike aluminum or steel enclosures, the bold new Kohler design is completely corrosion-proof, even in harsh seaside environments.
- Faster Response**  
 Kohler home generators restore power to your home 2-3 times faster than competitive models.
- Quiet Operation**  
 Kohler home generators provide quiet neighborhood-friendly performance. Now with the Model RRT transfer switch, you will experience even quieter operation during the ultra-quiet weekly diagnostic test.

## Standard Features

- RDC Residential Digital Control**
  - One digital controller manages both the generator set and transfer switch functions (with optional model RRT transfer switch)
  - Designed for today's most sophisticated electronics
  - Electronic speed control responds quickly to varying household demand
  - Digital voltage regulation protects your sensitive electronics from harmonic distortion and unstable power quality
  - LED display shows system status and setup information
- Kohler Command PRO Engine Features**
  - Kohler Command PRO® OHV engine with hydraulic valve lifters for reliable performance without routine valve adjustment or lengthy break-in requirements
  - Powerful, reliable air-cooled performance
  - Simple field conversion between natural gas and LP vapor fuels while maintaining emission certification
- Designed for Easy Installation**
  - Polymer base eliminates the need for a concrete mounting pad, reducing installation time and cost
  - Hinged, locking roof
  - Fuel and electrical connections through the enclosure wall eliminate the need for stub-ups through the bottom
  - Load connection terminal block allows easy field wiring
  - Designed for outdoor installation only
- Certifications**
  - California Air Resources Board (CARB)-certified for both LP vapor and natural gas (60 Hz model)
  - Meets Environmental Protection Agency (EPA) nonstationary unit requirements (60 Hz model)
  - UL 2200 listed (60 Hz model)
  - CSA certification available (60 Hz model)
  - Approved for stationary standby applications in locations served by a reliable utility source

## Generator Ratings

Model	Voltage	Phase	Hz	Alternator	Standby Ratings			
					Natural Gas		LP Gas	
					kW/kVA	Amps	kW/kVA	Amps
14RES	120/240	1	60	2F5	12/12	50	14/14	58
20RES	120/240	1	60	2F7	18/18	75	20/20	83

RATINGS: Standby ratings apply to installations served by a reliable utility source. All single-phase units are rated at 1.0 power factor. The standby rating is applicable to variable loads with an average load factor of 80% for the duration of the power outage. No overload capacity is specified at this rating. Ratings are in accordance with ISO-3046/1, BS5514, AS2789, and DIN 6271. GENERAL GUIDELINES FOR DERATING: **ALTITUDE**: Derate 4% per 305 m (1000 ft.) elevation above 153 m (500 ft.). **TEMPERATURE**: Derate 2% per 5.5°C (10°F) temperature increase above 16°C (60°F). Availability is subject to change without notice. The generator set manufacturer reserves the right to change the design or specifications without notice and without any obligation or liability whatsoever. Contact your local Kohler Co. generator distributor for availability.

\* Check the appliance manufacturer's specifications for actual power requirements. Consult a Kohler® Power Systems professional to calculate your exact residential power system requirements.

# Application Data

## Engine

Engine Specifications	14RES	20RES
Manufacturer	Kohler	
Engine: model, type	CH740 4-Cycle	CH1000 4-Cycle
Cylinder arrangement	V-2	
Displacement, cm <sup>3</sup> (cu. in.)	725 (44)	999 (61)
Bore and stroke, mm (in.)	83 x 67 (3.27 x 2.64)	90 x 78.5 (3.54 x 3.1)
Compression ratio	9:1	8.8:1
Main bearings: quantity, type	2, Parent Material	
Rated RPM	3600	
Max. engine power at rated rpm, kW (HP)		
LP vapor, 60 Hz	17.6 (23.6)	23.0 (30.9)
Natural gas, 60 Hz	15.3 (20.5)	20.2 (27.1)
Cylinder head material	Aluminum	
Valve material	Steel/Stellite®	
Piston type and material	Aluminum Alloy	
Crankshaft material	Heat Treated, Ductile Iron	
Governor: type	Electronic	
Frequency regulation, no load to full load	Isochronous	
Frequency regulation, steady state	±0.5%	
Air cleaner type	Dry	

## Engine Electrical

Engine Electrical System	
Ignition system	Electronic, Capacitive Discharge
Starter motor rated voltage (DC)	12
Battery charging alternator, amp rating	15
Battery (purchased separately):	
Ground	Negative
Volts (DC)	12
Battery quantity	1
Recommended cold cranking amps (CCA) rating for -18°C (0°F)	500
Group size	51

## Exhaust

Exhaust System	
Exhaust temperature exiting the enclosure at rated kW, dry, °C (°F)	260 (500)

## Lubrication

Lubricating System	14RES	20RES
Type	Full Pressure	
Oil capacity (with filter), L (qt.)	1.9 (2.0)	2.8 (3.0)
Oil filter: quantity, type	1, Cartridge	
Oil cooler	Integral	

## Fuel Requirements

Fuel System	14RES	20RES
Fuel types	Natural Gas or LP Vapor	
Fuel supply inlet	1/2 NPT	
Fuel supply pressure, kPa (in. H <sub>2</sub> O):		
Natural gas	1.2-2.7 (5-11)	
LP	1.7-2.7 (7-11)	
Fuel flow rates, Btu/hr.		
Natural gas	193,000	281,000
LP	203,000	340,000

## Fuel Pipe Size

Pipe Length, m (ft.)	Minimum Gas Pipe Size Recommendation, in. NPT			
	14RES		20RES	
	Natural Gas (193,000 Btu/hr.)	LP Vapor (203,000 Btu/hr.)	Natural Gas (281,000 Btu/hr.)	LP Vapor (340,000 Btu/hr.)
8 (25)	3/4	3/4	1	3/4
15 (50)	1	3/4	1	1
30 (100)	1	1	1 1/4	1
46 (150)	1 1/4	1	1 1/4	1 1/4
61 (200)	1 1/4	1	1 1/4	1 1/4

## Fuel Consumption

Fuel Consumption, m <sup>3</sup> /hr. (cfh)					
Fuel Type	% Load	14RES		20RES	
Natural Gas	100%	5.4	(193)	8.0	(281)
	75%	4.7	(163)	6.9	(243)
	50%	3.5	(124)	4.6	(161)
	25%	2.6	(93)	3.6	(127)
LP Vapor	100%	2.3	(81)	3.9	(136)
	75%	2.1	(75)	3.1	(109)
	50%	1.8	(60)	2.3	(82)
	25%	1.2	(45)	1.7	(59)

LP vapor conversion factors:  
 8.58 ft.<sup>3</sup> = 1 lb.  
 0.535 m<sup>3</sup> = 1 kg  
 36.39 ft.<sup>3</sup> = 1 gal.

Nominal fuel rating:  
 Natural gas: 37 MJ/m<sup>3</sup> (1000 Btu/ft.<sup>3</sup>)  
 LP vapor: 93 MJ/m<sup>3</sup> (2500 Btu/ft.<sup>3</sup>)

# Alternator

## Alternator Features

- Compliance with NEMA, IEEE, and ANSI standards for temperature rise
- Self-ventilated and dripproof construction
- Vacuum-impregnated windings with fungus-resistant epoxy varnish for dependability and long life
- Superior voltage waveform and minimum harmonic distortion from skewed alternator construction
- Digital voltage regulator with  $\pm 1.5\%$  no-load to full-load RMS regulation
- Rotating-field alternator with static exciter for excellent load response
- Skewed generator construction produces a smooth AC waveform

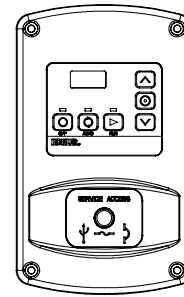
## Alternator Specifications

Specifications	PowerBoost™ Generator 1-Phase
Manufacturer	Kohler
Output reconnectable	120/240
Type	2-Pole, Rotating Field
Leads, quantity	4
Voltage regulator	Digital
Insulation:	NEMA MG1-1.66
Material	Class H
Temperature rise	Class H
Bearing: quantity, type	1, Sealed Ball
Coupling	Direct
Amortisseur windings	Full
Voltage regulation, no-load to full-load RMS	$\pm 1.5\%$
One-step load acceptance	100% of Rating
Peak motor starting kVA @ 240 V:	
14RES	35
20RES	40.5

## Sound Data

Model	Sound Level at 7 m	
	Low Speed No Load	Full Speed No Load
14RES	66 dBA	70 dBA
20RES	66 dBA	73 dBA

# RDC Residential Digital Controller



## Controller Features

- Integrated control for the generator set and transfer switch \*
  - Membrane keypad:
    - OFF, AUTO, and RUN pushbuttons
    - Password-protected access to system configuration and adjustment menus
    - System voltage/frequency selection and engine configuration
    - Voltage, gain, and engine speed adjustment
  - OFF, AUTO, and RUN LED indicators
  - LED display:
    - Scrolling system status display includes engine runtime hours, battery voltage, generator voltage, engine temperature, and utility voltage\*
    - Crank cycle status
    - Setup information
    - Software version
    - Faults
    - Event history
  - Faults displayed:
    - Auxiliary fault
    - ATS communication error
    - High battery voltage
    - High engine temperature
    - Locked rotor
    - Low battery voltage
    - Low oil pressure
    - Overcrank
    - Overfrequency
    - Overspeed
    - Overvoltage
    - Underfrequency
    - Underspeed
    - Undervoltage
  - Exercise modes
    - Unloaded quiet diagnostic test \*
    - Loaded exercise
  - Smart engine cooldown senses engine temperature \*
  - Remote two-wire start/stop capability for optional connection of Model RDT or RSB transfer switches
  - Digital isochronous governor to maintain steady-state speed at all loads
  - Digital voltage regulation:  $\pm 1.5\%$  RMS no-load to full-load
  - Automatic start with programmed cranking cycle
  - Field-upgradeable firmware
  - Front-access mini USB connector for firmware upgrade
  - Front access fuses and mini-breaker
- \* Model RRT transfer switch required

## Standard Features

- Battery cables
- CARB- and EPA-certified fuel system
- Critical silencer
- Engine-mounted 15 amp battery charging alternator
- Field-connection terminal block
- Fuel solenoid valve and secondary regulator
- Multi-fuel system, LP vapor/natural gas, field-convertible
- Oil drain extension with shutoff valve
- RDC generator set/ATS controller
- Rodent-resistant construction
- Sound-deadening, flame-retardant foam per UL 94, class HF-1
- Corrosion-proof polymer sound enclosure
- Premium 5-year limited warranty
- 6-amp battery charger
- Line circuit breaker:
  - 14RES: 70 amps
  - 20RES: 125 amps

## Available Accessories

### Communication Accessories

- OnCue Home™ Generator Management System

### Electrical System

- Battery
- Battery heater

### Fuel System

- Gas strainer
- Braided stainless steel flexible fuel line

### Maintenance

- Maintenance kit (air and oil filters)
- General maintenance literature kit
- Overhaul literature kit
- Production literature kit

### Starting Aids

- Carburetor heater, 120 VAC (recommended for reliable starting at temperatures below 0°C [32°F])

### Transfer Switch

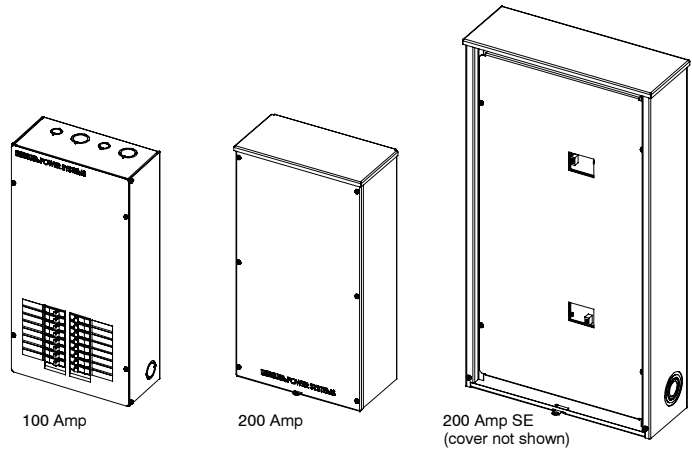
- Kohler automatic transfer switch

### Miscellaneous Accessories

- \_\_\_\_\_
- \_\_\_\_\_
- \_\_\_\_\_

## Available Accessories

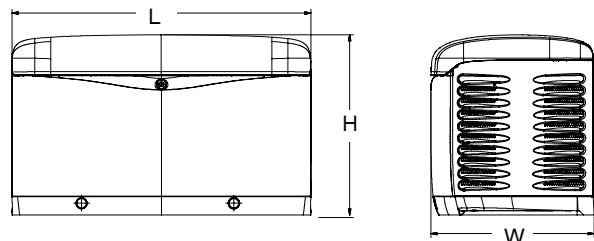
### Model RRT Automatic Transfer Switch



- UL listed
- 240 VAC/60 Hz
- Withstand short circuit rating 10,000 amps with specified breakers. Service entrance models are rated 22,000 amps.
- Three models available:
  - 100 amp NEMA 1 with load center for indoor installation
  - 200 amp NEMA 3R for outdoors or indoors (no load center)
  - 200 amp NEMA 3R service entrance-rated model
- Designed for the 14/20RES/RESL generator sets with RDC or DC integrated generator set/ATS controller
- Use with the 14/20RES generator set for unloaded, quiet diagnostic test, utility voltage sensing, and smart engine cooldown

### Dimensions and Weights

Overall Size, L x W x H:	1216 x 665 x 733 mm (48 x 26.2 x 29 in.)
Weight:	14RES                      186 kg (410 lb.) 20RES                      227 kg (500 lb.)



NOTE: These dimensions are provided for reference only and should not be used for planning installation. Contact your local distributor for more detailed information.

**DISTRIBUTED BY:**